

centerline
by **HOBART**

INSTRUCTION MANUAL

**MODEL
HMM10**



701 S. RIDGE AVENUE
TROY, OHIO 45373

937-332-3000

www.hobartcorp.com

FORM 48170 (May 2023)

TABLE OF CONTENTS

GENERAL.....	3
INSTALLATION	3
Unpacking.....	3
Location	3
Electrical Connections (Cord Connected Mixers).....	4
Check Initial Operation	4
OPERATION	5
STANDARD CONTROLS	6
Model HMM10 (With Three Mix Speeds).....	6
Mixer Speeds.....	6
Button Function Description	6
BOWL PLACEMENT	7
Agitator	7
To Install.....	7
To Remove.....	7
Prepare For Mixing	8
Mixing Modes	8
Timed Mixing Mode	9
Operating Notes	9
Unloading	10
Wire Cage Assembly	10
Remove and Clean Bowl Guard Wire Cage	11
Reinstall Bowl Guard Wire Cage	11
Agitators and Attachments.....	12
CLEANING	13
MAINTENANCE	14
Lubrication	14
Slideways.....	14
Planetary Seal	14
Adjustments.....	15
Agitator Clearance	15
Measure Clearance	15
Adjust the Bowl/Agitator Clearance	15
TROUBLESHOOTING	16
Service.....	16

Installation, Operation and Care of Centerline by Hobart 10-Quart Mixer

SAVE THESE INSTRUCTIONS

GENERAL

The Centerline by Hobart 10-quart mixer is a bench-type mixer which features three-speeds, a digital timer, a manual bowl lift, and a #12 attachment hub as standard equipment.

A variety of attachments, agitators, and accessories are available. These are described in the Agitators and Attachments section of this manual.

INSTALLATION

UNPACKING

The mixer was inspected before leaving the factory. The carrier assumes full responsibility for safe delivery upon acceptance of the shipment. Check for possible shipping damage immediately after receipt.

If the mixer is found to be damaged, complete the following steps:

1. Carrier must be notified within five business days of receipt.
2. Carrier's local terminal must be notified immediately upon discovery (note the time, date, and who was spoken to), and follow up and confirm with written or electronic communication.
3. All original packing materials must be kept for inspection purposes.
4. The mixer cannot have been moved, installed, or modified.
5. Notify Hobart customer care at (800) 333-7447.

LOCATION

Prior to installation, test the electrical service to ensure it agrees with the specifications on the mixer data plate.

Place the mixer on a suitable sturdy level surface. There should be adequate space around the mixer for the user to operate the controls and to install and remove bowls.

ELECTRICAL CONNECTIONS (Cord Connected Mixers)

⚠ WARNING The electrical cord on this mixer is equipped with a three-pronged grounding plug which must be connected to a properly grounded receptacle. If the receptacle is not the proper grounding type, contact an electrician. **DO NOT** remove the grounding prong from the plug.

⚠ WARNING Electrical and grounding connections must comply with the applicable portion of the National Electrical Code and/or other local electrical codes.

Check Initial Operation

1. Apply power to the mixer by inserting the cord plug into a properly grounded outlet.
2. Mixer will beep three times indicating mixer is ready.
3. Install the bowl on the bowl support and raise into the mix position, with the bowl support up and bowl guard wire cage closed.
4. Turn the speed gear shift lever to 1.
5. Run the mixer by pushing the ON/OFF button.

OPERATION

⚠ WARNING Moving agitator in bowl. Keep hands, clothing and utensils out of bowl while in operation. Do not use without interlocked guards.

The Centerline by Hobart mixers are equipped with a timer and controls. Refer to Fig. 1 for operating parts and OPERATION section for their functions.

The bowl guard wire cage must be in closed position or the mixer will not operate.

The bowl must be mounted, and the bowl support must be raised (mix position) or the mixer will not operate.

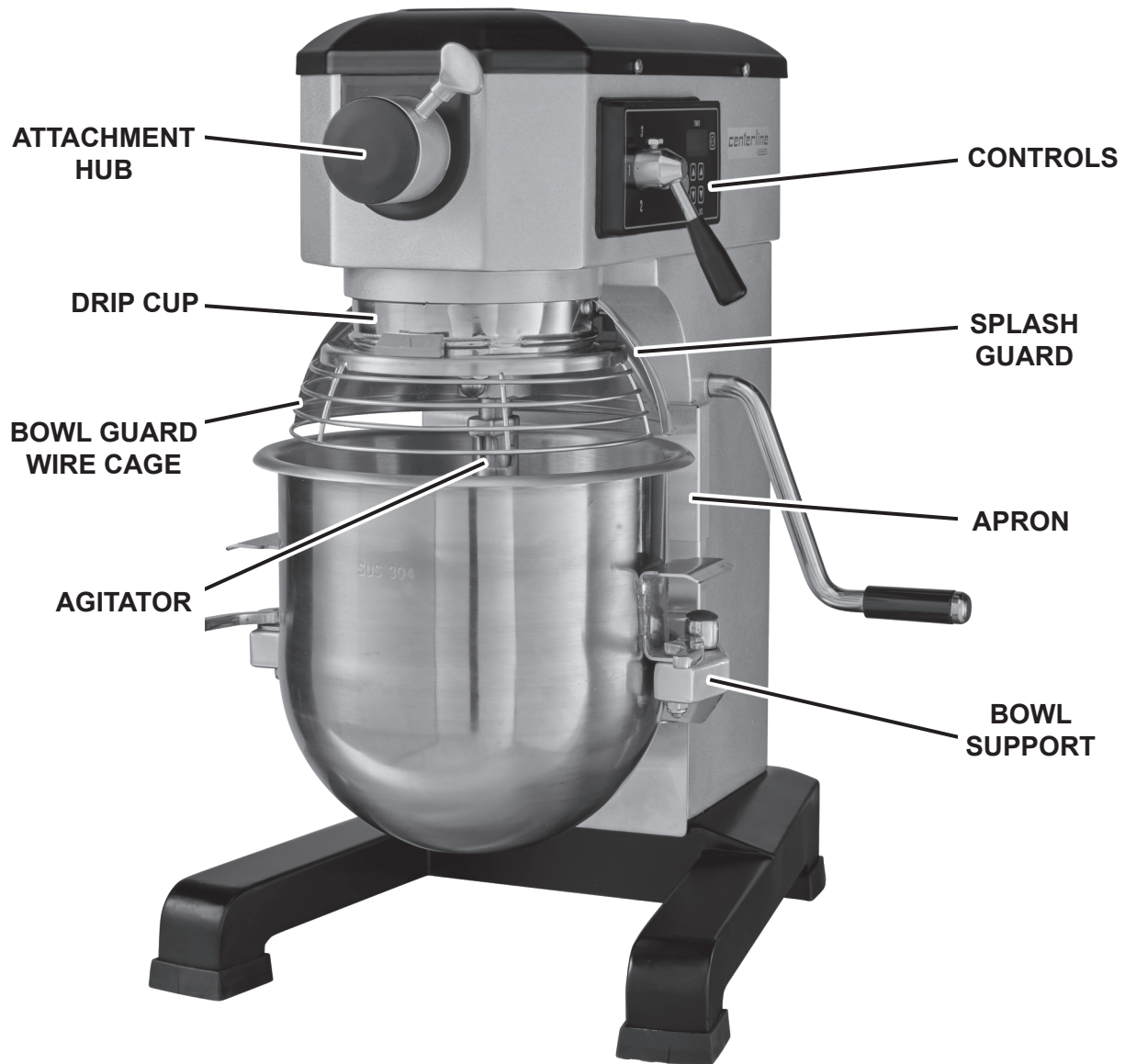


Fig. 1

STANDARD CONTROLS

MODEL HMM10 (With Three Mix Speeds)

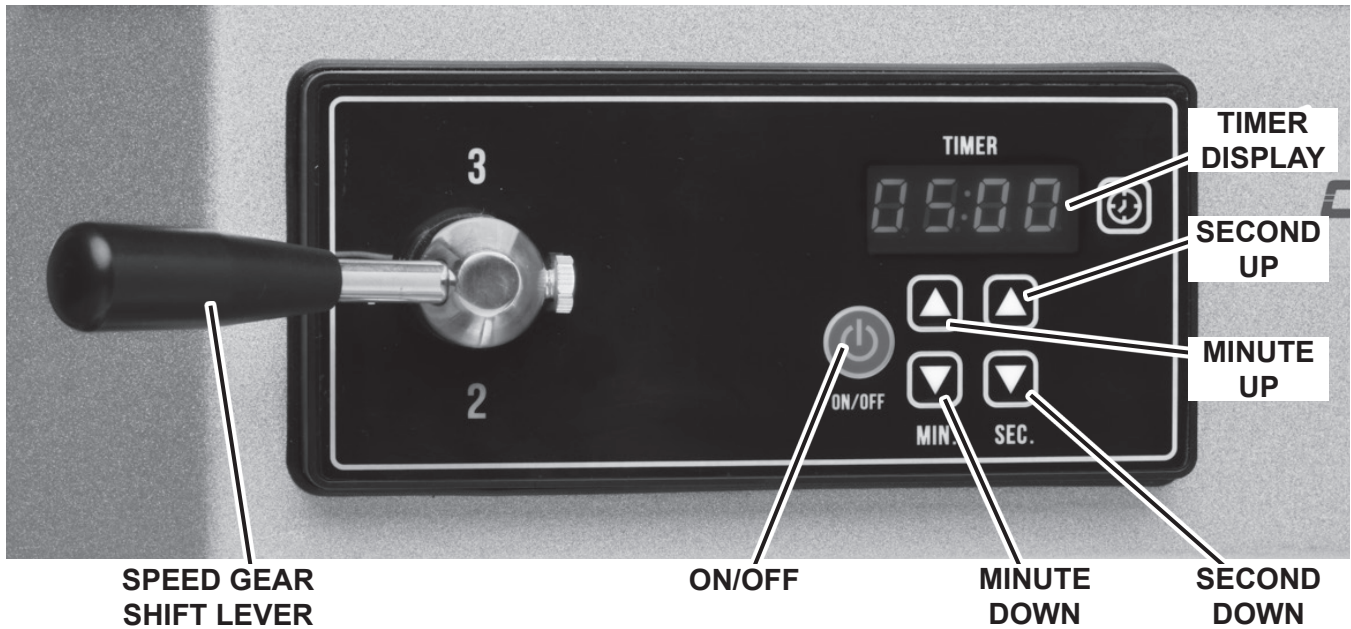







Fig. 2

MIXER SPEEDS

SPEED 1 (Low)	This speed is for heavy mixtures such as heavy batters, potatoes, pizza dough, and bread dough.
SPEED 2 (Medium)	This speed is for mixing cake batters and mashing potatoes.
SPEED 3 (High)	This speed is for incorporating air into light batches, as well as finishing whipped items.

BUTTON FUNCTION DESCRIPTION

NOTE: The mixer will beep once when any button is pressed.

	ON/OFF	Press the ON/OFF button to start the mixer. If the mixer is running, press the ON/OFF button to stop the mixer.
	SEC UP ARROW	Press once to increase the time in 1 second increments. Press and hold to quickly increase time until released. Range is 0-59.
	SEC DOWN ARROW	Press once to decrease the time in 1 second increments. Press and hold to quickly decrease time until released. Range is 0-59.
	MIN UP ARROW	Press once to increase the time in 1 minute increments. Press and hold to quickly increase time until released. Range is 0-59.
	MIN DOWN ARROW	Press once to decrease the time in 1 minute increments. Press and hold to quickly decrease time until released. Range is 0-59.

NOTE: The seconds and minutes are set independently.

NOTE: The ON/OFF button is used to clear overload error.

BOWL PLACEMENT

The bowl must be installed on the bowl support before the agitator is installed.

To install the bowl, lower the bowl support and move bowl clamps to the open position (Fig. 3). Position the bowl so the alignment bracket on the back of the bowl is in the bowl retainer and the alignment pins on the front of the bowl support fit in the holes on the sides of the bowl. Lock the bowl in place by rotating the bowl clamps (Fig. 4).



Fig. 3



Fig. 4

AGITATOR

To install an agitator, the bowl must be on the bowl support.

To Install

1. Lower the bowl.
2. Open the bowl guard wire cage.
3. Place the agitator inside the bowl and align the horizontal slot on the agitator with the agitator shaft pin.
4. Slide the agitator up the agitator shaft and turn it clockwise to seat the shaft pin in the slot of the agitator shank.

To Remove

1. Open the bowl guard wire cage.
2. Lower the bowl.
3. Lift the agitator and turn it counterclockwise. Slide agitator down and off the agitator shaft.

PREPARE FOR MIXING

1. Place the mixing bowl on the bowl support.
2. Pour ingredients into the bowl.
3. Place the agitator inside the bowl, and then attach it to the agitator shaft (Fig. 5).
4. Lift bowl support.
5. Correctly close the bowl guard wire cage.
6. The mixer is now ready for mixing.



Fig. 5

UNTIMED MIXING MODES

1. Turn the speed gear shift lever (Fig. 6) to select a mix speed. The timer display reads OFF (Fig. 6).

NOTE: GearSafe™ protects gears if speeds are changed during mixing operation without stopping mixer.

2. Press the ON/OFF button (Fig. 7) to begin mixing. The timer display reads ON (Fig. 7).

NOTE: If the bowl guard wire cage is opened or the bowl is lowered at any time, the mixing operation will stop. To resume the mixing operation, close the wire cage or raise the bowl and press the ON/OFF button.

3. Press the ON/OFF button to stop the mixer. The timer display reads OFF.
4. Press the ON/OFF button to resume mixing operation if needed.



Fig. 6



Fig. 7

TIMED MIXING MODE

1. Turn the speed gear shift lever (Fig. 6) to select a mix speed. The timer display reads OFF (Fig. 6).
2. Press the MIN UP/DOWN and SEC UP/DOWN arrows until the timer display reads the desired mixing time (Fig. 8). This is the set time.
3. Press the ON/OFF button to begin mixing; the timer starts counting down from the set time.
4. To stop the mixer at any time, press the ON/OFF button. To resume mixing, press the ON/OFF button. For example: The mixer is started at speed 1 for 30 seconds and is stopped after 10 seconds. Pressing the ON/OFF button will resume the mixing operation and the remaining 20 seconds will count down.

NOTE: If the wire cage is opened or the bowl is lowered at any time, the mixing operation will stop. To resume the mixing operation, close the wire cage or raise the bowl and press the ON/OFF button.

5. When the timer reaches 00:00, the mixer stops and beeps three times. The count-down timer then displays the last set time.

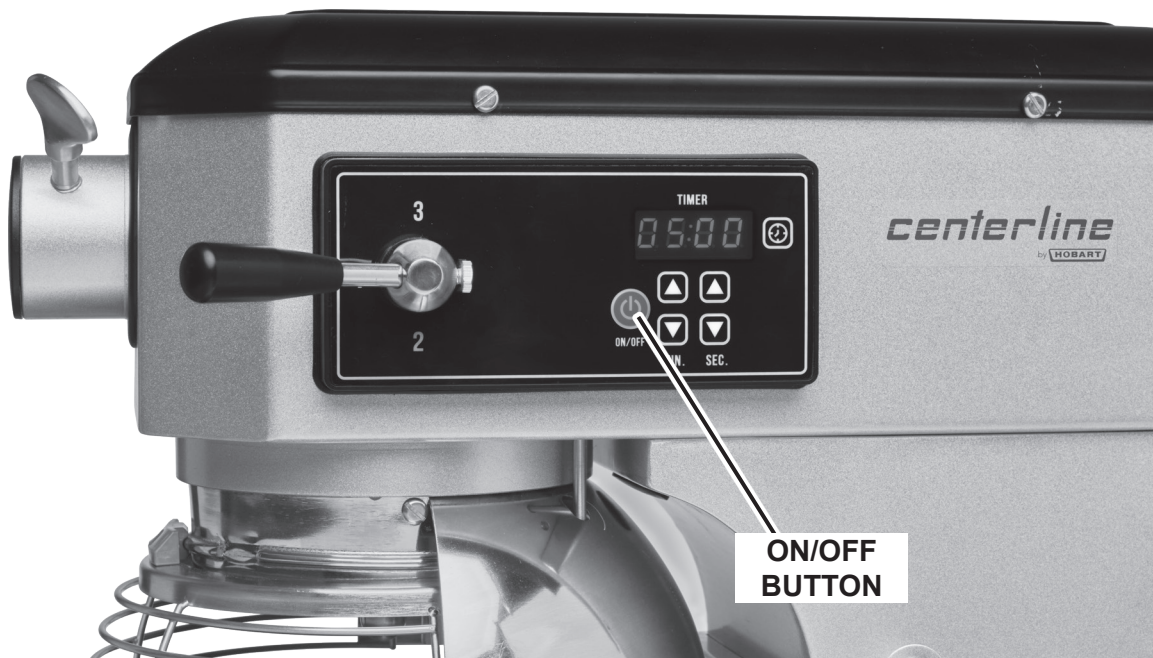


Fig. 8

OPERATING NOTES

- If the mixer is stopped during a mixing operation, the timer also stops. The timer starts again (with the time remaining) when the ON/OFF button is pressed (Fig. 8).

UNLOADING

1. Open the bowl guard wire cage assembly.
2. Lower bowl support.
3. Remove the agitator from the agitator shaft.
4. Open the bowl clamps.
5. Lift the bowl off the pins and remove from the bowl support.

WIRE CAGE ASSEMBLY

The bowl guard wire cage assembly can be rotated out-of-the-way to the left to add ingredients or to access the bowl and agitator.

Note how the plastic carriers allow the wire cage to ride around the circumference of the planetary drip cup.

- Open the bowl guard wire cage; rotate it to your left (Fig. 9).
- Close the bowl guard wire cage; rotate it to your right until it stops in the closed position (Fig. 10).

NOTE: The bowl guard wire cage must be returned to the closed position for the mixer to operate.



Fig. 9



Fig. 10

Remove and Clean Bowl Guard Wire Cage

Lower the bowl. Rotate the wire cage assembly to the left until it is positioned underneath the splash guard. Remove the agitator and bowl.

While holding the wire cage assembly with both hands, rotate it completely to the left. When the front-center retainer (Fig. 11) reaches the end of its travel, it can be lowered through the flat (Fig. 11) on the ridge of the drip cup (Fig. 11). After lowering the front-center retainer, move the wire cage assembly slightly to the rear so the rear retainers clear the ridge on the drip cup. The wire cage assembly can now be lowered and removed.

Wash the bowl guard wire cage assembly in a sink, rinse with clear water, and dry with a clean cloth.

The splash guard can be wiped off and/or washed with a cloth or sponge using warm, soapy water. Rinse with clear water and dry with a clean cloth.



Fig. 11

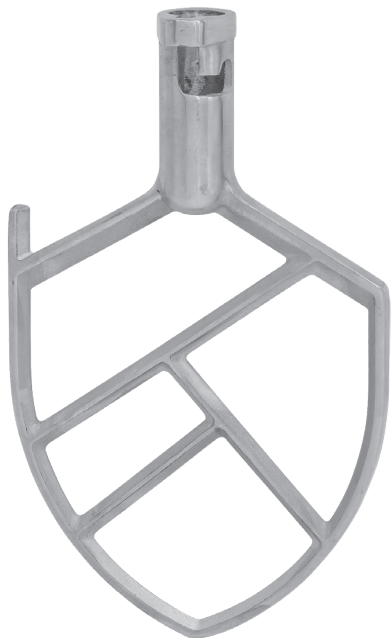
Reinstall Bowl Guard Wire Cage

Hold the wire cage assembly so its top ring is positioned around the planetary drip cup with the grooves in both nylon rear retainers straddling the ridge on the drip cup at the rear. Lift the wire cage assembly so the front-center retainer passes up through the flat on the ridge of the drip cup and rotate the wire cage assembly to the right. The wire cage assembly is properly assembled when all three retainers straddle the ridge on the drip cup in three opposed locations. Rotate the wire cage assembly to the right until it stops at the front-center position.

Rotate the wire cage out-of-the-way to the left to install or remove the agitator and bowl or to add ingredients.

Return the wire cage to its front-center position to operate the mixer.

AGITATORS AND ATTACHMENTS



Flat Beater



Wire Whip



Dough Hook



Bowl (SST)

CLEANING

⚠ WARNING Unplug mixer power cord before beginning any cleaning procedure.

The mixer should be thoroughly cleaned daily. DO NOT use a hose to clean the mixer; it should be washed with a clean, damp cloth. The base allows ample room for cleaning under the mixer. The apron (Fig. 1) may be removed for cleaning by loosening the screws. The drip cup (Fig. 1) should be wiped clean. For cleaning the bowl guard wire cage assembly, refer to page 11.

MAINTENANCE

⚠ WARNING Unplug mixer power cord before beginning any maintenance procedure.

LUBRICATION

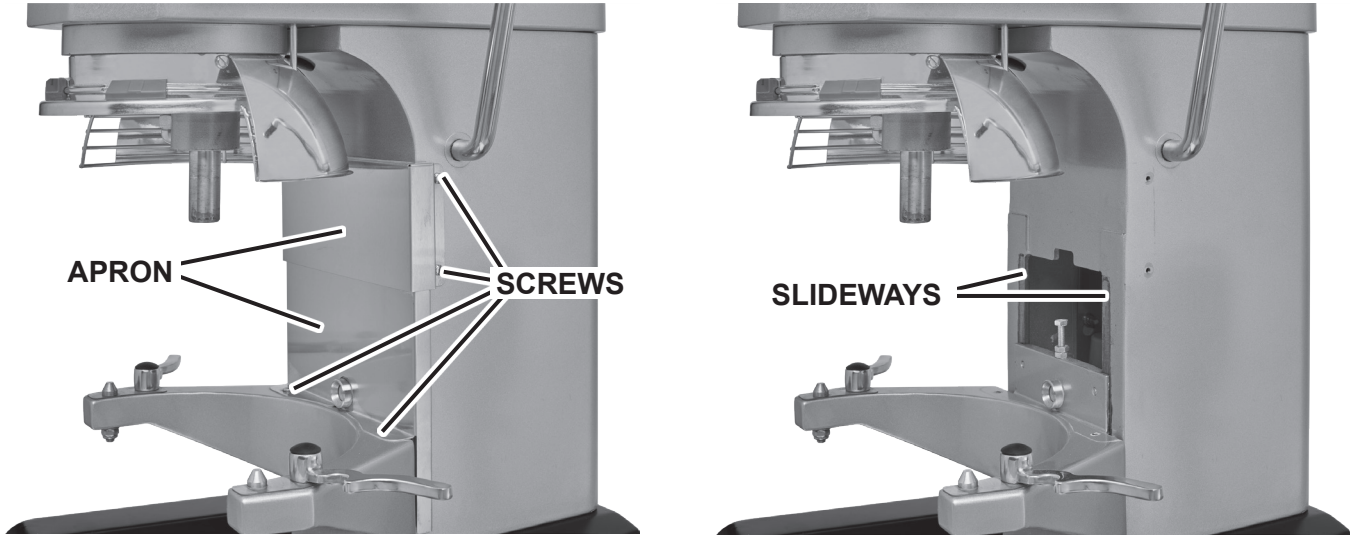


Fig. 12

Slideways

The slideways (Fig. 12) should be lubricated approximately twice a year. To reach these areas, fully lower the bowl support and remove the apron (Fig. 12), which is secured by screws. Wipe a thin coat of Lubriplate 630AA on each slideway. Install the apron.

Planetary Seal

Occasionally, the planetary seal (Fig. 13) may become dry and begin to squeak. To correct this, work a little lubrication (mineral oil) under the lip of the seal.



Fig. 13

ADJUSTMENTS

Agitator Clearance

The agitator clearance should be checked periodically. The agitator must not touch the bowl. The maximum clearance between the bottom of the bowl and the B flat beater is 1/8" (3mm).

Install a bowl and agitator (e.g., beater). If the bowl and beater come into contact before the bowl support reaches its stop, adjust the stop screw. Refer to Adjust the Bowl/Agitator Clearance.

Measure Clearance

Pour enough flour in the bowl to cover the bottom of the bowl where the beater travels. With the bowl fully raised (beater should not touch the bottom of the bowl), briefly run the mixer at the lowest speed.

Turn off the mixer, disconnect the electrical power supply, and measure the depth of flour where the beater has traced a path. This measurement should be taken at several points around the bowl to assure accuracy.

Adjust the Bowl/Agitator Clearance

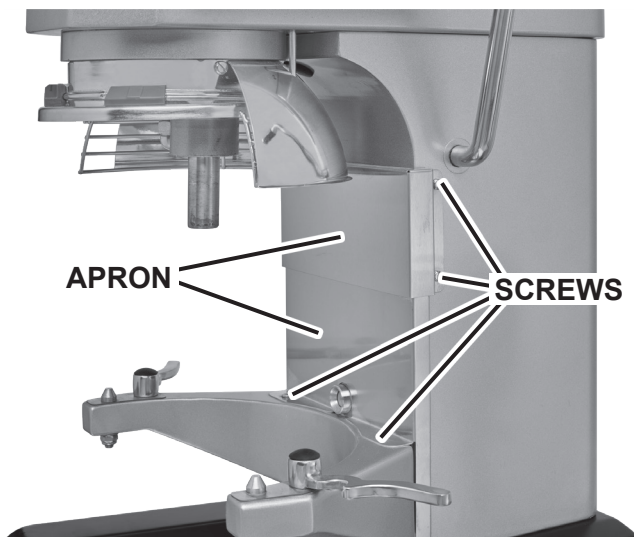


Fig. 14

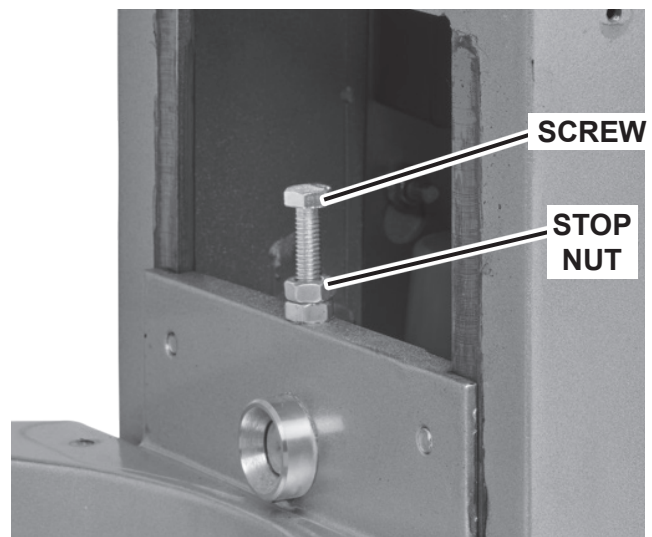


Fig. 15

- Remove the apron (Fig. 14), which is secured by screws.
- Adjust the clearance by loosening the stop nut and moving the screw (Fig. 15) clockwise to increase the clearance or counterclockwise to decrease the clearance.
- After the adjustments are made, tighten the stop nut and replace the apron, and secure it with the screws.
- Carefully operate the bowl lift several times to check the adjustment.

TROUBLESHOOTING

Symptoms	Possible Causes
Mixer will not start	Flashing time display – see below.
	Branch circuit protector is in open position - check fuse or disconnect switch.
	Mixer is overloaded.
	Wire cage is not in the closed position.
	Bowl is not in closed (mix) position or bowl is not in up position.
Agitator touches bowl	Improper agitator clearance - see Maintenance for adjustment procedure.
	Agitator is not installed properly.
Planetary seal squeaks	Seal requires occasional lubrication - see Maintenance.
Timer display flashing time and machine is beeping	If the timer display is flashing and machine is beeping, press ON/OFF button to reset. If symptom still exists, contact your local Hobart Service office.
Timer display reads OP (Fig. 16)	Speed gear shift lever is not properly seated.



Fig. 16

SERVICE

If service is needed on this equipment, contact your local Hobart Service office at (888) 4HOBART.

centerline
by **HOBART**

MANUAL DE INSTRUCCIONES

**MODELO
HMM10**



701 S. RIDGE AVENUE
TROY, OHIO 45373

937-332-3000

www.hobartcorp.com

FORMULARIO 48170 (Mai de 2023)

TABLA DE CONTENIDO

GENERAL.....	3
INSTALACIÓN	3
Desembalaje.....	3
Ubicación.....	3
Conexiones eléctricas (Batidoras conectadas con cable).....	4
Revisión inicial de operación	4
OPERACIÓN.....	5
CONTROLES ESTÁNDAR	6
Modelo HMM10 (con tres velocidades de batido).....	6
Velocidades de la batidora	6
Descripción de la función de los botones	6
COLOCACIÓN DEL TAZÓN	7
Batidor	7
Para instalarlo.....	7
Para quitarlo	7
Preparación para mezclar	8
Modos de mezclado no programado	8
Modo de mezclado programado.....	9
Notas de funcionamiento.....	9
Descarga	10
Montaje de la rejilla del tazón	10
Cómo retirar y limpiar la rejilla de la guarda del tazón.....	11
Cómo volver a colocar la rejilla del tazón	11
Batidores y aditamentos	12
LIMPIEZA	13
MANTENIMIENTO.....	14
Lubricación	14
Guías	14
Sello planetario.....	14
Ajustes.....	15
Espacio libre del batidor	15
Medida del espacio libre.....	15
Ajuste del espacio libre del tazón y del batidor.....	15
RESOLUCIÓN DE PROBLEMAS.....	16
Servicio.....	16

Instalación, funcionamiento y cuidado de la batidora Centerline de 10 cuartos de galón por Hobart

CONSERVE ESTAS INSTRUCCIONES

GENERAL

La batidora Centerline de 10 cuartos de galón por Hobart es una batidora de tipo banco que tiene tres velocidades, un temporizador digital, una palanca de levantamiento manual del tazón y una entrada de aditamentos n.º 12 como equipamiento estándar.

Están disponibles una variedad de aditamentos, batidores y accesorios. Estos elementos se describen en la sección Batidores y aditamentos de este manual.

INSTALACIÓN

DESEMBALAJE

La batidora fue inspeccionada antes de salir de fábrica. El transportista asume total responsabilidad por la entrega segura una vez aceptado el cargamento. Compruebe que no haya daños al cargamento inmediatamente después de recibirlo.

Si la batidora está dañada, siga estos pasos:

1. Notificar al transportista dentro de los cinco días hábiles siguientes a la fecha de recepción.
2. Notificar de inmediato a la terminal local del transportista tras el descubrimiento (anotar la hora, la fecha y la persona con quien se habló) y hacer un seguimiento y enviar la confirmación mediante comunicaciones escritas o electrónicas.
3. Conservar todos los materiales originales del embalaje por motivos de inspección.
4. La batidora no debe moverse, instalarse ni modificarse.
5. Notificar al Servicio de Atención al Cliente de Hobart al (800) 333-7447.

UBICACIÓN

Antes de la instalación, pruebe el servicio eléctrico para asegurarse de que concuerda con las especificaciones de la placa de datos de la batidora.

Coloque la batidora sobre una superficie nivelada y resistente. Debe haber espacio adecuado alrededor de la batidora para que el usuario opere los controles e instale y retire los tazones.

CONEXIONES ELÉCTRICAS (Batidoras conectadas con cable)

⚠ ADVERTENCIA El cable eléctrico de esta batidora está equipado con un enchufe de conexión a tierra con tres terminales que se deben conectar correctamente a una toma con conexión a tierra. Si la toma corriente no es la correcta, comuníquese con un electricista. **NO** quite el terminal de conexión a tierra del enchufe.

⚠ ADVERTENCIA Las conexiones eléctricas y a tierra deben cumplir con la parte aplicable del Código Eléctrico Nacional o de otros códigos eléctricos locales.

Revisión inicial de operación

1. Conecte la alimentación a la batidora insertando el enchufe del cable en una toma con conexión a tierra apropiada.
2. La batidora emitirá tres pitidos para indicar que está lista.
3. Instale el tazón en el soporte del tazón y levántelo a la posición de mezclado con el soporte del tazón y cierre la rejilla del tazón.
4. Lleve la palanca de cambio de velocidades a la posición 1.
5. Ponga en funcionamiento la batidora presionando el botón ON/OFF.

OPERACIÓN

⚠ ADVERTENCIA El batidor gira en el tazón, por lo que deberá mantener fuera las manos, la ropa y los utensilios mientras está en funcionamiento. No use la batidora con las rejillas abiertas.

Las batidoras Centerline by Hobart están equipadas con un temporizador y controles. Consulte la Fig. 1 para conocer las partes y la sección OPERACIÓN para conocer sus funciones.

La rejilla del tazón debe estar cerrada para que la batidora funcione.

El tazón debe estar montado y el soporte del tazón debe levantarse (posición de mezclado) para que la batidora funcione.

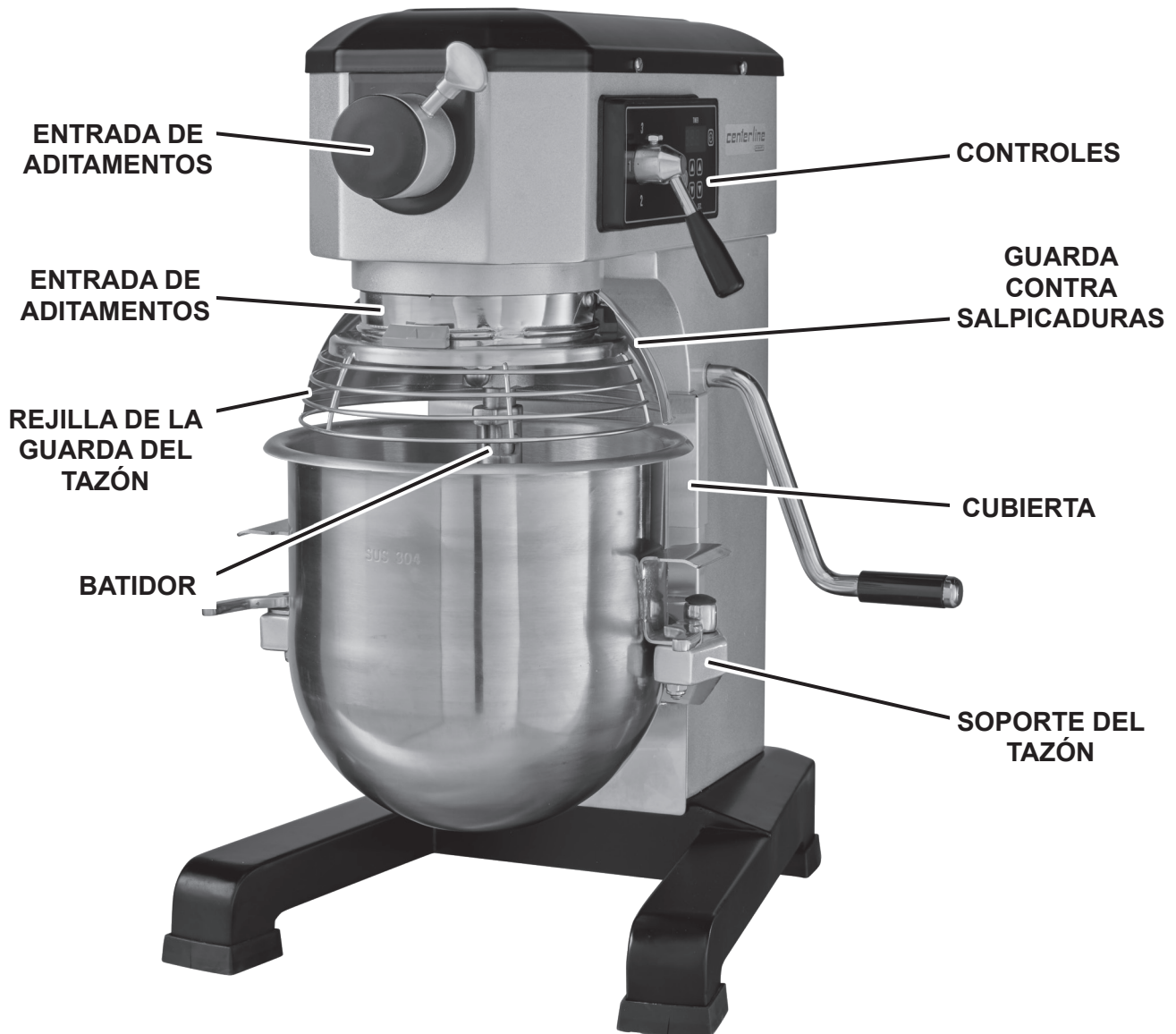


Fig. 1

CONTROLES ESTÁNDAR

MODELO HMM10 (con tres velocidades de batido)








Fig. 2

VELOCIDADES DE LA BATIDORA

VELOCIDAD 1 (baja)	Esta velocidad es para mezclas espesas, como masas espesas, papas, mezcla para pizza y mezcla para pan.
VELOCIDAD 2 (intermedia)	Esta velocidad es para mezclar mezclas de tortas y puré de papas.
VELOCIDAD 3 (alta)	Esta velocidad es para incorporar aire en los lotes ligeros y también para terminar productos batidos.

DESCRIPCIÓN DE LA FUNCIÓN DE LOS BOTONES

NOTA: La batidora emitirá un pitido una vez cuando se presione cualquier botón.

	ON/OFF (ENCENDIDO/APAGADO)	Presione el botón ON/OFF para iniciar la batidora. Si la batidora está funcionando, presione el botón ON/OFF para detenerla.
	FLECHA SEC UP (AUMENTAR SEGUNDOS)	Presione una vez para aumentar el tiempo en incrementos de 1 segundo. Mantenga presionado para aumentar el tiempo rápidamente hasta soltarlo. El rango comprende de 0 a 59.
	FLECHA SEC DOWN (DISMINUIR SEGUNDOS)	Presione una vez para disminuir el tiempo en incrementos de 1 segundo. Mantenga presionado para disminuir el tiempo rápidamente hasta soltarlo. El rango comprende de 0 a 59.
	FLECHA MIN UP (AUMENTAR MINUTOS)	Presione una vez para aumentar el tiempo en incrementos de 1 minuto. Mantenga presionado para aumentar el tiempo rápidamente hasta soltarlo. El rango comprende de 0 a 59.
	FLECHA MIN DOWN (DISMINUIR MINUTOS)	Presione una vez para disminuir el tiempo en incrementos de 1 minuto. Mantenga presionado para disminuir el tiempo rápidamente hasta soltarlo. El rango comprende de 0 a 59.

NOTA: Los segundos y minutos se configuran de forma independiente.

NOTA: El botón ON/OFF se utiliza para borrar el error de sobrecarga.

COLOCACIÓN DEL TAZÓN

El tazón debe colocarse en el soporte del tazón antes de colocar el batidor.

Para instalar el tazón, baje el soporte del tazón y mueva las abrazaderas del tazón a la posición de apertura (Fig. 3). Coloque el tazón de forma tal que el soporte de alineación en la parte posterior del tazón esté en el dispositivo de retención del tazón y los pernos de alineación en la parte frontal del soporte del tazón encajen en los orificios de los laterales del tazón. Asegure el tazón en su lugar al girar las abrazaderas (Fig. 4).

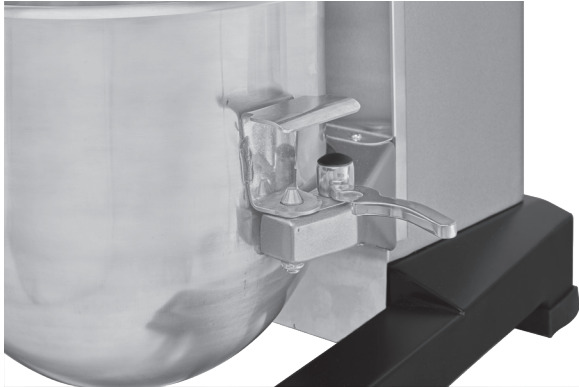


Fig. 3



Fig. 4

BATIDOR

Para colocar el batidor, el tazón deben estar en el soporte del tazón.

Para instalarlo

1. Baje el tazón.
2. Abra la rejilla del tazón.
3. Coloque el batidor dentro del tazón y alinee la ranura horizontal en el batidor con el perno del eje del batidor.
4. Deslice el batidor hacia arriba del eje y gírelo hacia la derecha para asentar el perno del eje en la ranura del mango del batidor.

Para quitarlo

1. Abra la rejilla del tazón.
2. Baje el tazón.
3. Levante el batidor y gírelo hacia la izquierda. Deslice el batidor hacia abajo del eje.

PREPARACIÓN PARA MEZCLAR

1. Coloque el tazón para mezclar en el soporte del tazón.
2. Vierta los ingredientes en el tazón.
3. Coloque el batidor dentro del tazón y asegúrelo al eje (Fig. 5).
4. Levante el soporte del tazón.
5. Cierre bien la rejilla del tazón.
6. El batidor ahora está listo para mezclar.



Fig. 5

MODOS DE MEZCLADO NO PROGRAMADO

1. Coloque la palanca de cambio de velocidades (Fig. 6) para seleccionar una velocidad de mezclado. En la pantalla del temporizador, se lee OFF (APAGADO) (Fig. 6).

NOTA: GearSafe™ protege los engranajes si se cambian las velocidades durante la operación de mezclado sin detener la batidora.

2. Presione el botón ON/OFF (Fig. 7) para comenzar a mezclar. En la pantalla del temporizador, se lee ON (ENCENDIDO) (Fig. 7).

NOTA: Si la rejilla de protección del tazón se abre o el tazón se baja en cualquier momento, la operación de mezclado se detendrá. Para reiniciar la operación de mezclado, cierre la rejilla o levante el tazón y presione el botón ON/OFF.

3. Presione el botón ON/OFF para detener la batidora. En la pantalla del temporizador, se lee OFF (APAGADO).
4. Presione el botón ON/OFF para reanudar el mezclado cuando sea necesario.



Fig. 6

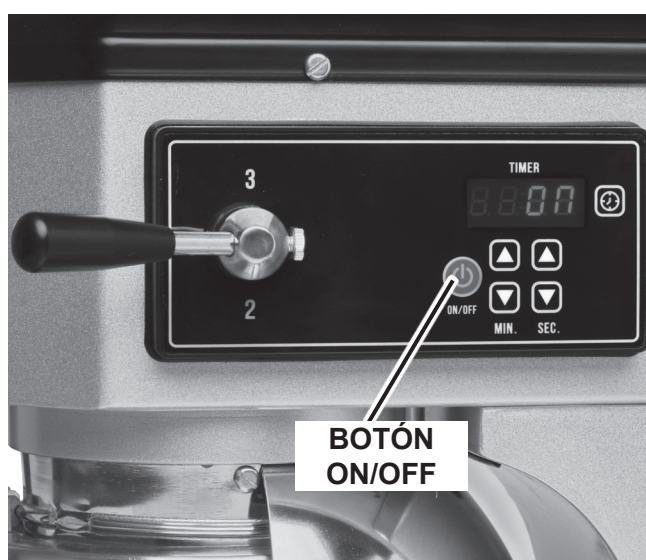


Fig. 7

MODO DE MEZCLADO PROGRAMADO

1. Coloque la palanca de cambio de velocidades (Fig. 6) para seleccionar una velocidad de mezclado. En la pantalla del temporizador, se lee OFF (APAGADO) (Fig. 6).
2. Presione las flechas MIN UP/DOWN y SEC UP/DOWN hasta que en la pantalla del temporizador se lea el tiempo de mezclado deseado (Fig. 8). Este es el tiempo programado.
3. Presione el botón ON/OFF para comenzar el mezclado; el temporizador inicia la cuenta regresiva del tiempo programado.
4. Para detener la batidora en cualquier momento, presione el botón ON/OFF. Para reanudar el mezclado, presione el botón ON/OFF. Por ejemplo, la batidora se inicia en la velocidad 1 durante 30 segundos y se detiene después de 10 segundos. Presione el botón ON/OFF para reanudar la operación de mezclado y reiniciar la cuenta regresiva de los 20 segundos restantes.

NOTA: Si la rejilla se abre o el tazón se baja en cualquier momento, la operación de mezclado se detendrá. Para reiniciar la operación de mezclado, cierre la rejilla o levante el tazón y presione el botón ON/OFF.

5. Cuando el temporizador llega a 00:00, la batidora se detiene y suena una alarma tres veces. El temporizador en cuenta regresiva mostrará el último tiempo que se ingresó.

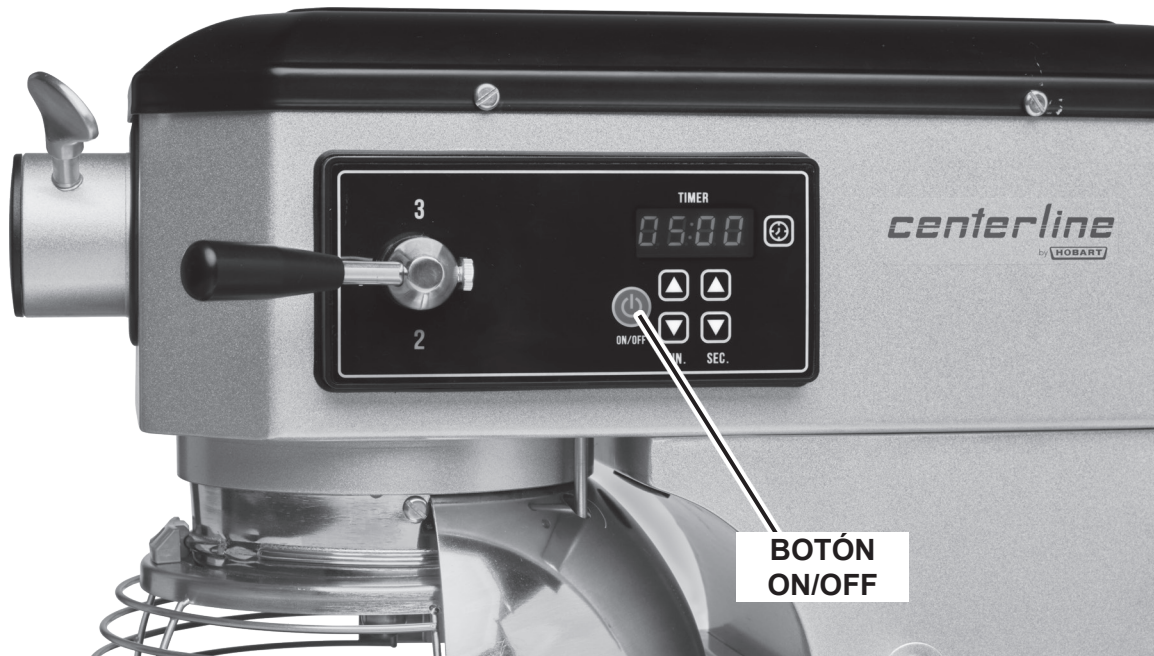


Fig. 8

NOTAS DE FUNCIONAMIENTO

- Si la batidora se detiene durante una operación de mezclado, el temporizador también se detiene. El temporizador comienza nuevamente (con el tiempo restante) cuando se presiona el botón ON/OFF (Fig. 8).

DESCARGA

1. Abra la rejilla del tazón.
2. Baje el soporte del tazón.
3. Retire el batidor del eje.
4. Abra las abrazaderas del tazón.
5. Levante el tazón de los pernos y quítelo del soporte del tazón.

MONTAJE DE LA REJILLA DEL TAZÓN

El montaje de la rejilla del tazón puede girarse de forma que no estorbe hacia la izquierda para agregar los ingredientes o llegar al tazón y al batidor.

Observe cómo las guías de plástico permiten que la rejilla vaya alrededor del colector de goteo del planetario.

- Abra la rejilla del tazón: gírela hacia la izquierda (Fig. 9).
- Cierre la rejilla del tazón: gírela hacia la derecha hasta que tope en la posición de cierre (Fig. 10).

NOTA: La rejilla del tazón debe regresarse a la posición de cierre para que la batidora funcione.



Fig. 9



Fig. 10

Cómo retirar y limpiar la rejilla de la guarda del tazón

Baje el tazón. Gire el montaje de la rejilla de la guarda hacia la izquierda hasta que esté colocado por debajo de la guarda contra salpicaduras. Quite el batidor y el tazón.

Mientras sostiene el montaje de la rejilla de la guarda con ambas manos, gírelo por completo hacia la izquierda. Cuando el dispositivo de retención frontal central (Fig. 11) llegue al final de su recorrido, puede bajarse hasta que quede plano (Fig. 11) en el borde del colector de goteo (Fig. 11). Después de bajar el dispositivo de retención frontal central, mueva el montaje de la rejilla de la guarda levemente hacia atrás para que los dispositivos de retención traseros despejen el borde en el colector de goteo. El montaje de la rejilla de la guarda ahora puede bajarse y quitarse.

Lave el montaje de la rejilla de la guarda del tazón en el fregadero, enjuáguela con agua limpia y séquela con un trapo limpio.

La guarda contra salpicaduras puede lavarse con un trapo o esponja, agua tibia y jabón. Enjuáguela con agua limpia y séquela con un trapo limpio.



Fig. 11

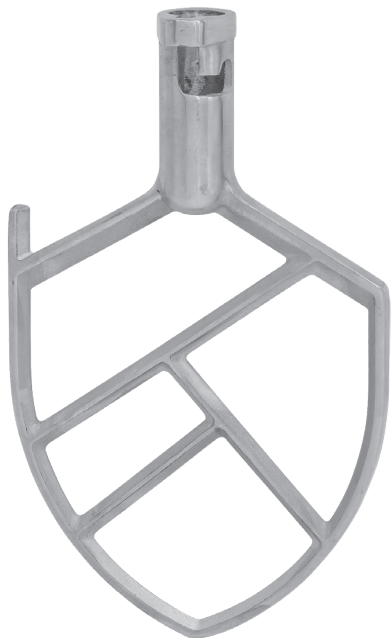
Cómo volver a colocar la rejilla del tazón

Sostenga el montaje de la rejilla de la guarda de forma tal que su anillo superior esté colocado alrededor del colector de goteo del planetario con las ranuras en los dispositivos de retención traseros de nailon extendidas por sobre el borde del colector de goteo en la parte trasera. Levante el montaje de la rejilla de la guarda de forma tal que el dispositivo de retención frontal central pase por arriba del parte plana en el borde del colector de goteo y gire el montaje de la rejilla hacia la derecha. El montaje de la rejilla está correctamente ensamblado cuando los tres dispositivos de retención se extienden por encima del borde del colector de goteo en tres ubicaciones opuestas. Gire el montaje de la rejilla hacia la derecha hasta que se detenga en la posición frontal central.

Gire la rejilla de forma que no estorbe hacia la izquierda para instalar o quitar el batidor y el tazón o para agregar los ingredientes.

Regrese la rejilla a su posición frontal central para poner en funcionamiento la batidora.

BATIDORES Y ADITAMENTOS



Batidor plano



Batidor de alambre



Gancho para masa



Tazón (SST)

LIMPIEZA

⚠ ADVERTENCIA Desenchufe el cable de alimentación de la batidora antes de comenzar cualquier procedimiento de limpieza.

La batidora debe limpiarse cuidadosamente a diario. NO utilice una manguera para limpiarla; hágalo con un trapo limpio y húmedo. La base tiene un espacio amplio para la limpieza debajo de la batidora. La cubierta (Fig. 1) puede retirarse para la limpieza aflojando los tornillos. El colector de goteo (Fig. 1) debe limpiarse. Para la limpieza del montaje de la rejilla de la guarda del tazón, vaya a la página 11.

MANTENIMIENTO

⚠ ADVERTENCIA Desenchufe el cable de alimentación de la batidora antes de comenzar cualquier procedimiento de mantenimiento.

LUBRICACIÓN

Guías

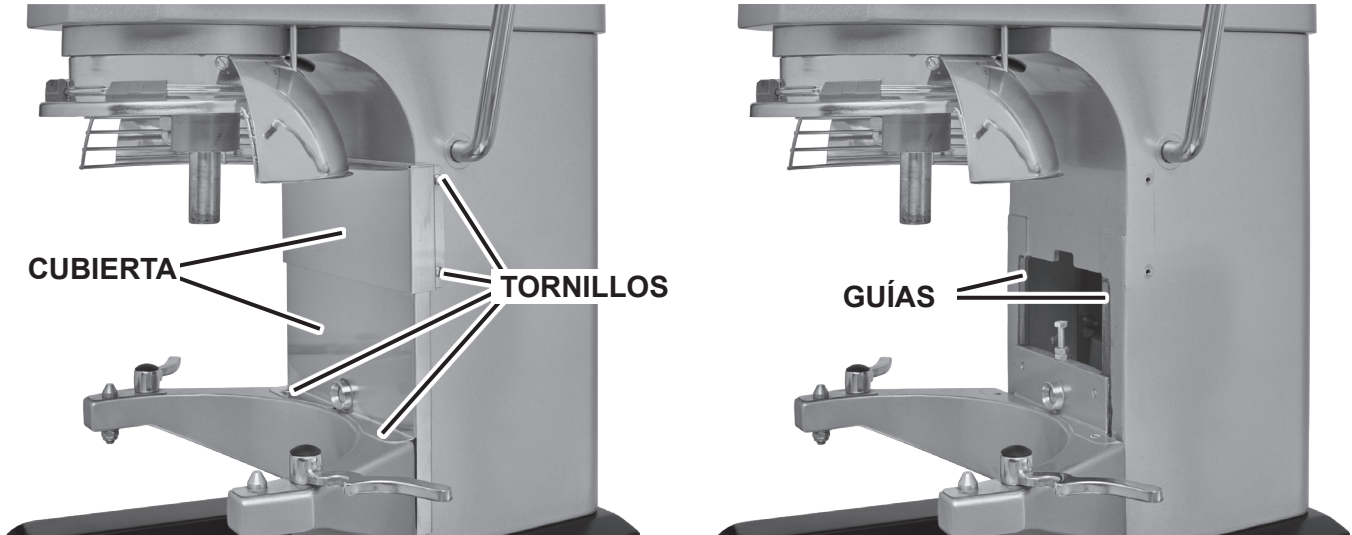


Fig. 12

Las guías (Fig. 12) deben lubricarse aproximadamente dos veces al año. Para llegar a estas zonas, baje completamente el soporte del tazón y retire la cubierta (Fig. 12), que está asegurada con tornillos. Limpie con una capa delgada de Lubriplate 630AA en cada guía. Coloque la cubierta.

Sello planetario

En ocasiones, el sello planetario (Fig. 13) puede secarse y comenzar a rechinar. Para corregir esto, aplique un poco de lubricante (aceite mineral) debajo del labio del sello.



Fig. 13

AJUSTES

Espacio libre del batidor

El espacio libre del batidor debe revisarse en forma periódica. El batidor no debe tocar el tazón. El espacio libre máximo entre la parte inferior del tazón y el batidor plano tipo B es de 1/8" (3 mm).

Coloque un tazón y un batidor (p. ej., el batidor plano tipo B). Si el tazón y el batidor entran en contacto antes de que el soporte del tazón llegue a su tope, ajuste el tornillo de tope. Consulte la sección Ajuste del espacio libre del tazón y del batidor.

Medida del espacio libre

Vierta una cantidad suficiente de harina en el tazón para cubrir el fondo del tazón donde gira el batidor. Con el tazón totalmente levantado (el batidor no debe tocar el fondo del tazón), haga funcionar brevemente la batidora a la velocidad más baja.

Apague la batidora, desconéctela y mida la profundidad de la harina donde el batidor haya dejado un camino. Esta medida debe tomarse en varios puntos alrededor del tazón para asegurar la precisión.

Ajuste del espacio libre del tazón y del batidor

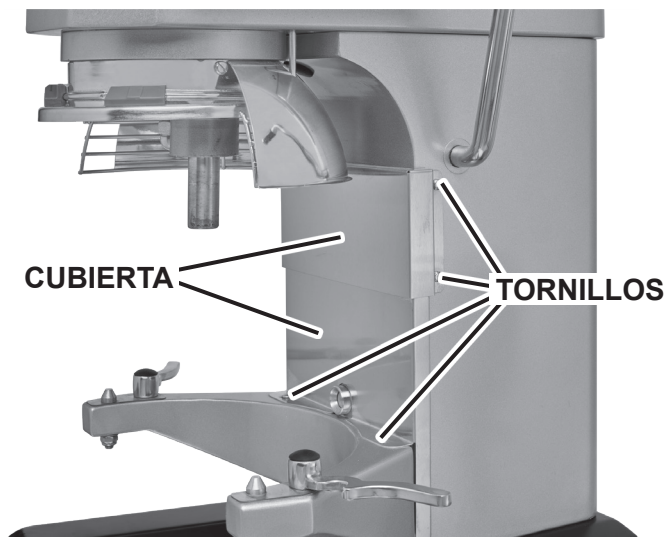


Fig. 14

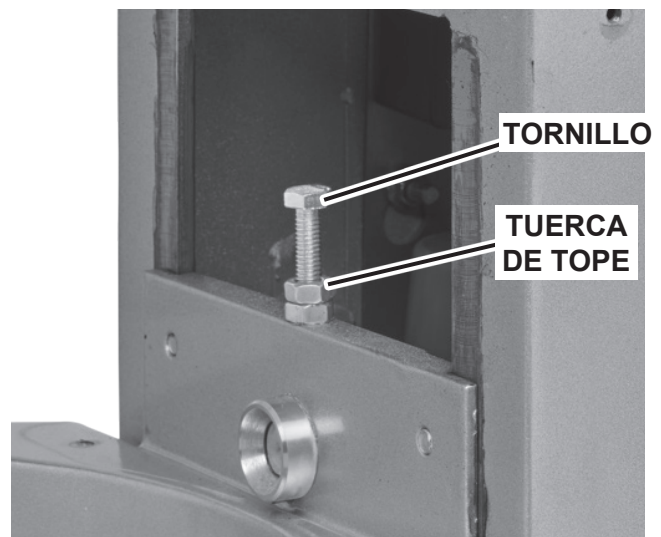


Fig. 15

- Quite la cubierta (Fig. 14), que está asegurada con tornillos.
- Ajuste el espacio libre al aflojar la tuerca de tope y mover el tornillo (Fig. 15) hacia la derecha para aumentar el espacio libre o hacia la izquierda para disminuir el espacio libre.
- Después de realizar los ajustes, ajuste la tuerca de tope, reemplace la cubierta y sujétela con los tornillos.
- Levante con cuidado el tazón varias veces para revisar el ajuste.

RESOLUCIÓN DE PROBLEMAS

Problemas	Causas posibles
La batidora no arranca.	La pantalla parpadea; consulte lo siguiente.
	El protector de circuito derivado está abierto. Revise el fusible o el interruptor de desconexión.
	La batidora está sobrecargada.
	La rejilla no está cerrada.
El tazón no está cerrado (posición de mezclado) o no está subido.	El tazón no está cerrado (posición de mezclado).
	El espacio del batidor no es el adecuado. Vaya a la sección Mantenimiento para conocer el procedimiento de ajuste.
El batidor toca el tazón.	El batidor no está colocado correctamente.
	El sello debe lubricarse de vez en cuando. Consulte la sección Mantenimiento.
El sello planetario rechina.	El sello debe lubricarse de vez en cuando. Consulte la sección Mantenimiento.
La pantalla del temporizador parpadea mostrando el tiempo y la máquina emite una alarma	Si la pantalla del temporizador parpadea y la máquina emite una alarma, presione el botón ON/OFF para restablecer. Si el síntoma continúa, comuníquese con su oficina de servicio local de Hobart.
En la pantalla del temporizador se lee OP (Fig. 16).	La palanca de cambio de velocidades no está correctamente asentada.



Fig. 16

SERVICIO

Si este equipo necesita servicio, llame a su oficina de servicio local de Hobart al (888) 4HOBART.

centerline
by **HOBART**

*MANUEL
D'INSTRUCTION*

**MODÈLE
HMM10**



701 S. RIDGE AVENUE
TROY, OHIO 45373

937-332-3000

www.hobartcorp.com

FORMULAIRE 48170 (mai 2023)

TABLE DES MATIÈRES

RENSEIGNEMENTS GÉNÉRAUX.....	3
INSTALLATION	3
Déballage	3
Emplacement.....	3
Raccordements électriques (bateur-mélangeur à fil).....	4
Contrôler la première utilisation	4
FONCTIONNEMENT.....	5
COMMANDES STANDARD	6
Modèle HMM10 (avec trois vitesses de mélange).....	6
Vitesse du bateur-mélangeur.....	6
Description des fonctions des boutons.....	6
MISE EN PLACE DU BOL.....	7
Agitateur	7
Assemblage	7
Retrait	7
Préparation pour le mélange	8
Modes de mélange non minutés	8
Mode de mélange minuté	9
Notes sur l'opération.....	9
Déchargement	10
Grille de protection	10
Retrait et nettoyage de la grille de protection du bol	11
Mise en place de la grille de protection	11
Agitateurs et accessoires	12
NETTOYAGE.....	13
ENTRETIEN	14
Lubrification	14
Glissières	14
Joint planétaire	14
Réglages	15
Distance de dégagement de l'agitateur	15
Mesurer la distance de dégagement	15
Réglage de la distance de dégagement du bol/agitateur	15
DÉPANNAGE	16
Service.....	16

Installation, utilisation et entretien du bateur-mélangeur de 10 pte Centerline par Hobart

CONSERVEZ CES INSTRUCTIONS

RENSEIGNEMENTS GÉNÉRAUX

Le bateur-mélangeur de 10 pte Centerline par Hobart est un bateur-mélangeur sur socle qui comporte trois vitesses, une minuterie numérique, un bol à levage manuel et un moyeu de fixation n° 12 en tant que matériel normalisé.

Une variété d'agitateurs et d'accessoires sont disponibles. Ceux-ci sont décrits dans la section Agitateurs et accessoires de ce manuel.

INSTALLATION

DÉBALLAGE

Ce bateur-mélangeur a été inspecté avant de quitter l'usine. La société de transport assume l'entière responsabilité de la livraison en bon état du fait de l'acceptation de l'expédition. Inspectez le bateur-mélangeur dès sa réception pour des bris dus au transport.

Si vous constatez que le bateur-mélangeur est endommagé, procédez comme suit :

1. La société de transport doit être notifiée dans les cinq jours ouvrables suivant la réception du robot culinaire.
2. La société de transport doit être notifiée immédiatement une fois le dommage constaté (notez l'heure, la date et la personne de contact), et faites un suivi de la notification et confirmez-la au moyen de communication écrite ou électronique.
3. Tous les matériaux d'emballage originaux doivent être conservés aux fins d'inspection.
4. Le bateur-mélangeur ne peut pas avoir été déplacé, installé ou modifié.
5. Communiquez avec le service à la clientèle de Hobart au 1 800 333-7447.

EMPLACEMENT

Avant d'installer le bateur-mélangeur, vérifiez que le service électrique est conforme aux spécifications figurant sur la plaque signalétique.

Placez le bateur-mélangeur sur une surface de niveau solide et appropriée. Il devrait y avoir suffisamment d'espace autour du bateur-mélangeur pour que l'utilisateur puisse actionner les commandes et installer et retirer les bols.

RACCORDEMENTS ÉLECTRIQUES (bateur-mélangeur à fil)

⚠ AVERTISSEMENT Le cordon d'alimentation de ce bateur-mélangeur est doté d'une fiche de terre à trois broches qui doit être branchée à une prise correctement mise à la terre. Si la prise n'est pas de type de mise à la terre, contactez un électricien. N'enlevez PAS la broche de mise à la terre de la fiche.

⚠ AVERTISSEMENT Les raccordements électriques et de mise à la terre doivent être conformes aux parties applicables du National Electrical Code et/ou d'autres codes électriques locaux.

Contrôler la première utilisation

1. Mettez le bateur-mélangeur sous tension en insérant la fiche du cordon dans une prise correctement mise à la terre.
2. Le bateur-mélangeur émet trois bips indiquant qu'il est prêt.
3. Installez le bol sur le support à bol et relevez-le dans la position pour mélanger, avec le support à bol vers le haut et la grille de protection du bol en position fermée.
4. Tournez le levier de changement de vitesse vers 1.
5. Faites fonctionner le bateur-mélangeur en appuyant sur le bouton ON/OFF (marche/arrêt).

FONCTIONNEMENT

⚠ AVERTISSEMENT Agitateur en mouvement dans le bol. Gardez les mains, les vêtements et les ustensiles hors du bol pendant le fonctionnement. N'utilisez pas le batteur-mélangeur sans protection interverrouillée.

Les batteurs-mélangeurs Centerline par Hobart sont équipés d'une minuterie et de commandes. Reportez-vous à la figure 1 pour les pièces de fonctionnement et la section FONCTIONNEMENT pour connaître leurs fonctions.

La grille de protection du bol doit être fermée; sinon le batteur-mélangeur ne peut pas fonctionner.

Le bol doit être installé, et le support à bol doit être levé (position de mélange) sinon le batteur-mélangeur ne fonctionnera pas.

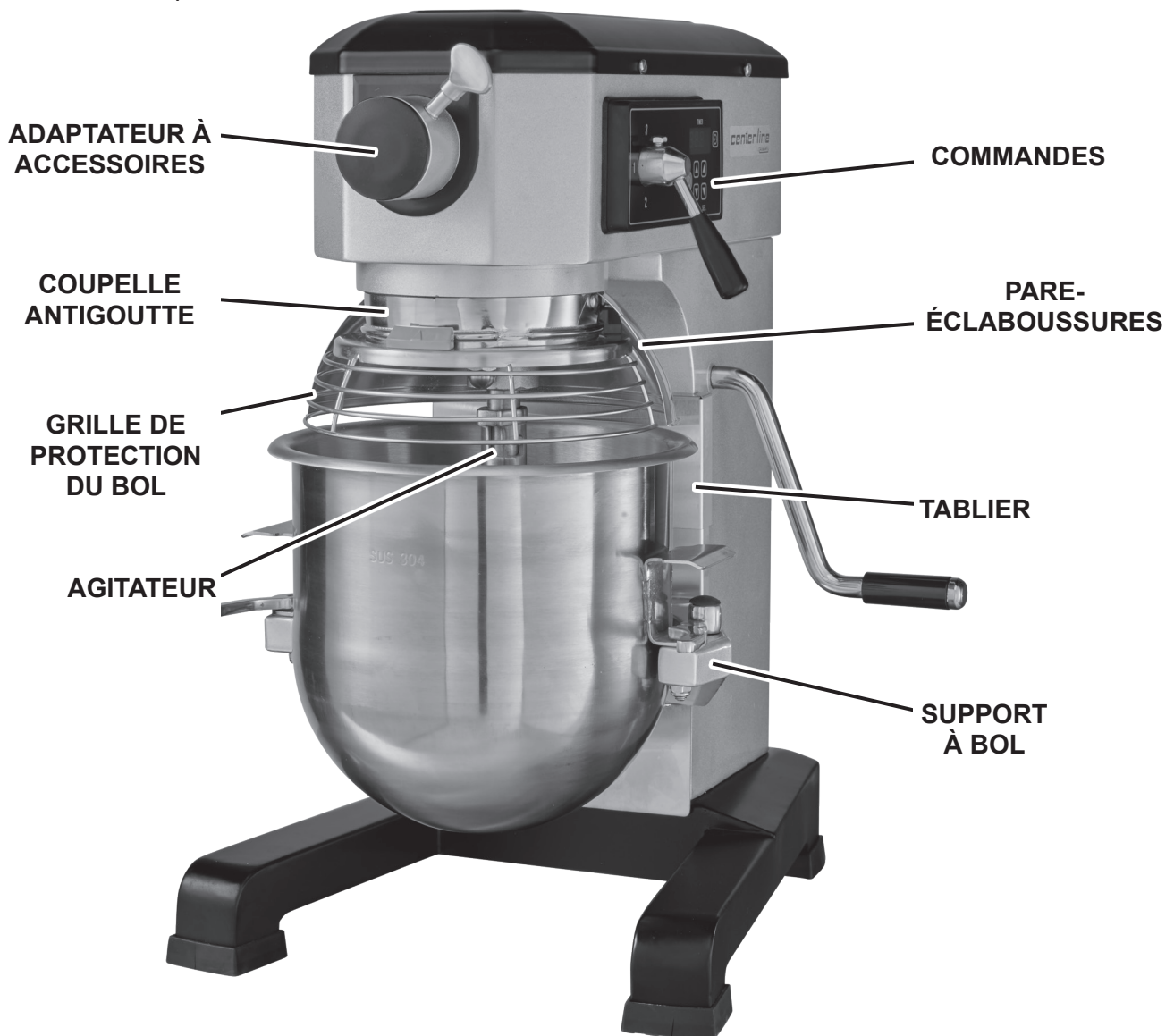


Fig. 1

COMMANDES STANDARD

MODÈLE HMM10 (avec trois vitesses de mélange)

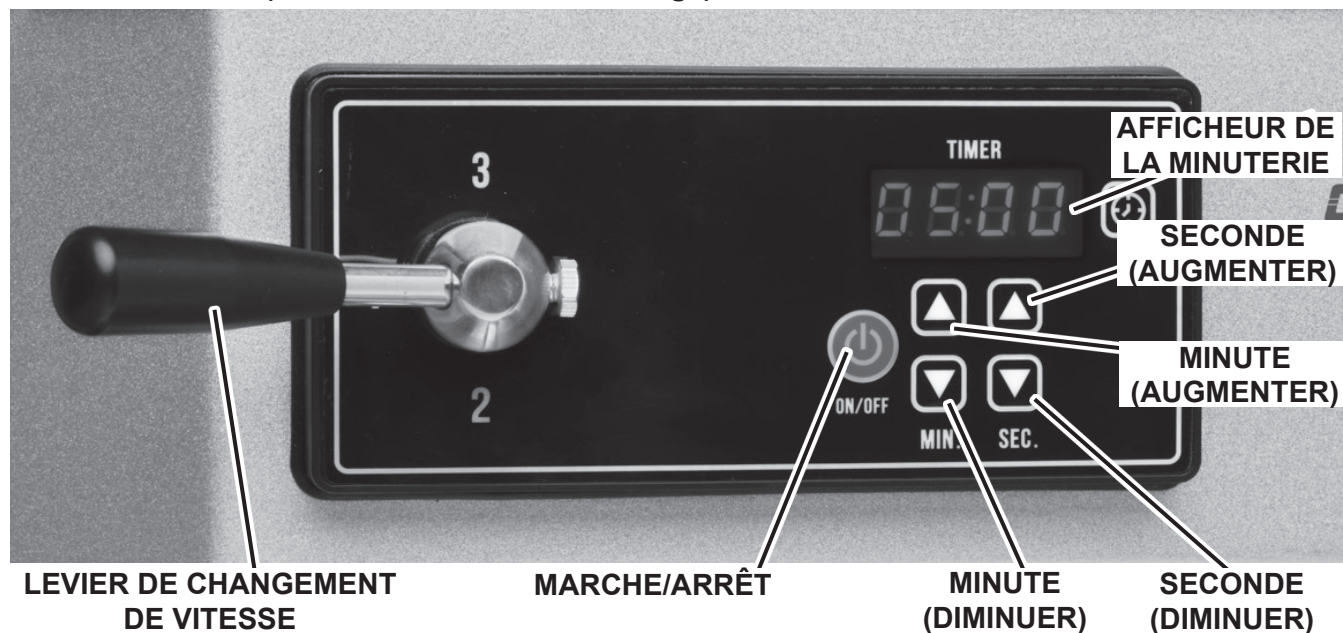


Fig. 2

VITESSES DU BATTEUR-MÉLANGEUR

VITESSE 1 (basse)	Cette vitesse est utile pour les mélanges lourds tels que les pâtes lourdes, les pommes de terre, la pâte à pizza et la pâte à pain.
VITESSE 2 (moyenne)	Cette vitesse permet de mélanger les pâtes à gâteaux et mettre en purée les pommes de terre.
VITESSE 3 (haute)	Cette vitesse permet d'incorporer de l'air dans des lots légers et de terminer les aliments fouettés.

DESCRIPTION DES FONCTIONS DES BOUTONS

REMARQUE : Le batteur-mélangeur émet un bip une fois que vous appuyez sur un bouton.

	ON/OFF (MARCHÉ/ARRÊT)	Appuyez sur le bouton ON/OFF (marche/arrêt) pour démarrer le batteur-mélangeur. Si le batteur-mélangeur fonctionne, appuyez sur le bouton ON/OFF pour arrêter le batteur-mélangeur.
	FLÈCHE VERS LE BAS DE SEC	Appuyez une fois sur ce bouton pour augmenter le temps par incréments de 1 seconde. Maintenez le bouton enfoncé pour augmenter rapidement le temps jusqu'au moment où vous le relâchez. La plage est de 0-59.
	FLÈCHE VERS LE HAUT DE SEC	
	FLÈCHE VERS LE HAUT DE MIN	Appuyez une fois sur ce bouton pour diminuer le temps par incréments de 1 seconde. Maintenez le bouton enfoncé pour diminuer rapidement le temps jusqu'au moment où vous le relâchez. La plage est de 0-59.
	FLÈCHE VERS LE BAS DE MIN	

REMARQUE : Les secondes et les minutes sont définies indépendamment.

REMARQUE : Le bouton ON/OFF (marche/arrêt) peut être utilisé pour effacer l'erreur de surcharge.

MISE EN PLACE DU BOL

Le bol doit être installé sur le support à bol avant d'installer l'agitateur.

Pour installer le bol, abaissez le support à bol et déplacez les pinces du bol en position ouverte (fig. 3). Placez le bol de façon à ce que le support d'alignement à l'arrière du bol se trouve dans le dispositif de retenue du bol et que les goupilles d'alignement sur le devant du support à bol s'insèrent dans les orifices situés sur les côtés du bol. Verrouillez le bol en faisant tourner les pinces du bol (fig. 4).



Fig. 3



Fig. 4

AGITATEUR

Pour installer un agitateur, le bol doit se trouver sur le support à bol.

Assemblage

1. Abaissez le bol.
2. Ouvrez la grille de protection du bol.
3. Placez l'agitateur à l'intérieur du bol et alignez la fente horizontale de l'agitateur avec la goupille de la tige pour agitateur.
4. Faites glisser l'agitateur le long de la tige pour agitateur et tournez-le dans le sens horaire pour placer la goupille de la tige dans la fente de l'arbre de l'agitateur.

Retrait

1. Ouvrez la grille de protection du bol.
2. Abaissez le bol.
3. Levez l'agitateur et tournez-le dans le sens antihoraire. Faites glisser l'agitateur vers le bas et enlevez-le de la tige pour agitateur.

PRÉPARATION POUR LE MÉLANGE

1. Placez le bol de mélange sur le support à bol.
2. Versez les ingrédients dans le bol.
3. Placez l'agitateur à l'intérieur du bol, puis fixez-le à la tige pour agitateur (fig. 5).
4. Levez le support à bol.
5. Fermez correctement la grille de protection du bol.
6. Le batteur-mélangeur est maintenant prêt à l'emploi.



Fig. 5

MODES DE MÉLANGE NON MINUTÉS

1. Tournez le levier de changement de vitesse (fig. 6) pour sélectionner une vitesse de mélange. L'afficheur de la minuterie indique OFF (arrêt) (fig. 6).

REMARQUE : GearSafe™ protège les engrenages si les vitesses sont modifiées pendant l'opération de mélange sans arrêter le batteur-mélangeur.

2. Appuyez sur le bouton ON/OFF (marche/arrêt) (fig. 7) pour démarrer le mélange. L'afficheur de la minuterie indique ON (marche) (fig. 7).

REMARQUE : Si la grille de protection du bol est ouverte ou si le bol est abaissé à tout moment, l'opération de mélange s'arrête. Pour reprendre l'opération de mélange, fermez la grille ou levez le bol et appuyez sur le bouton ON/OFF (marche/arrêt).

3. Appuyez sur le bouton ON/OFF (marche/arrêt) pour arrêter le batteur-mélangeur. L'afficheur de la minuterie indique OFF (arrêt).
4. Appuyez sur le bouton ON/OFF (marche/arrêt) pour reprendre l'opération de mélange, selon les besoins.



Fig. 6



Fig. 7

MODE DE MÉLANGE MINUTÉ

1. Tournez le levier de changement de vitesse (fig. 6) pour sélectionner une vitesse de mélange. L'afficheur de la minuterie indique OFF (arrêt) (fig. 6).
2. Appuyez sur les flèches MIN (haut/bas) et SEC (haut/bas) jusqu'à ce que l'afficheur de la minuterie indique la durée de mélange désirée (fig. 8). Ce temps est la durée définie.
3. Appuyez sur le bouton ON/OFF (marche/arrêt) pour commencer à mélanger; la minuterie commence à compter à partir de la durée définie.
4. Pour arrêter le batteur-mélangeur à tout moment, appuyez sur le bouton ON/OFF. Pour reprendre l'opération de mélange, appuyez sur le bouton ON/OFF. Par exemple : le batteur-mélangeur démarre à la vitesse 1 pendant 30 secondes et s'arrête après 10 secondes. Appuyez sur le bouton ON/OFF (marche/arrêt) pour reprendre l'opération de mélange et les 20 secondes restantes seront décomptées.

REMARQUE : Si la grille est ouverte ou si le bol est abaissé à tout moment, l'opération de mélange s'arrête. Pour reprendre l'opération de mélange, fermez la grille ou levez le bol et appuyez sur le bouton ON/OFF (marche/arrêt).

5. Lorsque la minuterie atteint 00:00, le batteur-mélangeur s'arrête et émet trois bips. Le compte à rebours affiche ensuite la durée définie restante.

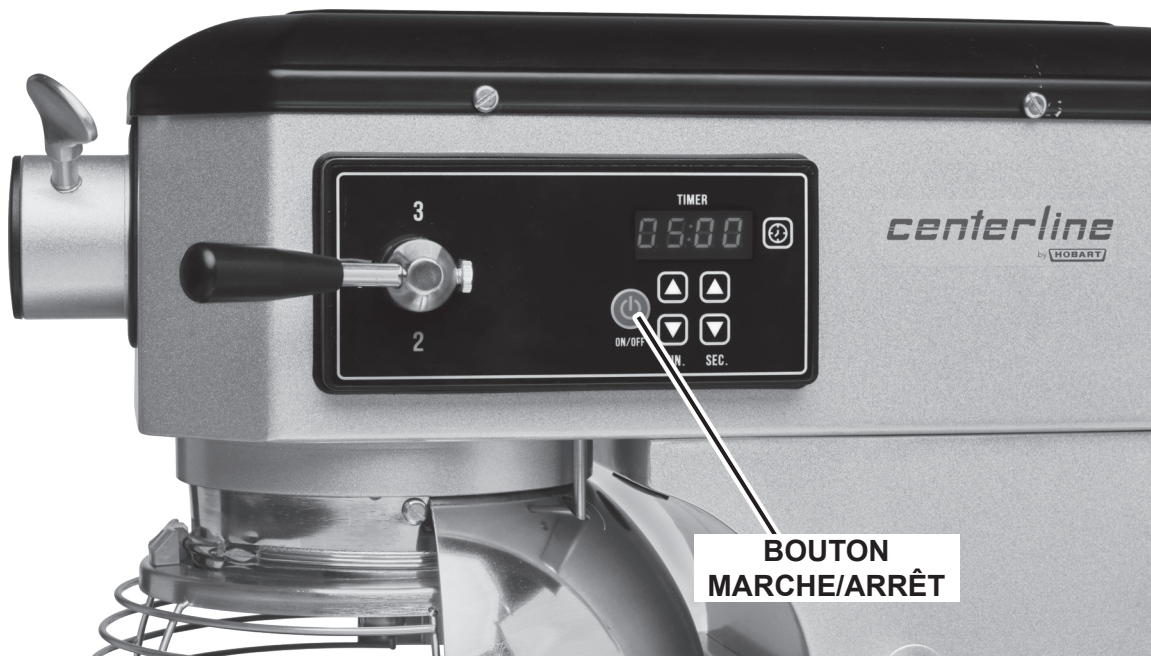


Fig. 8

NOTES SUR L'OPÉRATION

- Si le batteur-mélangeur est arrêté pendant une opération de mélange, la minuterie s'arrête également. La minuterie redémarre (avec la durée restante) lorsque le bouton ON/OFF est appuyé (fig. 8).

DÉCHARGEMENT

1. Ouvrez la grille de protection du bol.
2. Abaissez le support à bol.
3. Retirez l'agitateur de la tige pour agitateur.
4. Ouvrez les pinces du bol.
5. Soulevez le bol des goupilles et retirez-le du support à bol.

GRILLE DE PROTECTION

La grille de protection du bol peut être tournée vers la gauche pour ajouter des ingrédients ou pour accéder au bol et à l'agitateur.

Notez comment les supports en plastique permettent à la grille de protection de circuler autour de la circonférence de la coupelle antigoutte planétaire.

- Ouvrez grille de protection du bol; faites-la pivoter vers la gauche (fig. 9).
- Fermez la grille de protection du bol; faites-la pivoter vers la droite jusqu'à ce qu'elle s'arrête en position fermée (fig. 10).

REMARQUE : La grille de protection du bol doit être retournée en position fermée afin que le batteur-mélangeur puisse fonctionner.



Fig. 9



Fig. 10

Retrait et nettoyage de la grille de protection du bol

Abaissez le bol. Faites pivoter l'assemblage la grille de protection vers la gauche jusqu'à ce qu'elle soit positionnée sous le pare-éclaboussures. Retirez l'agitateur et le bol.

En tenant la grille avec vos deux mains, tournez-la complètement vers la gauche. Lorsque le dispositif de retenue du centre avant (fig. 11) atteint la fin de sa course, il peut être abaissé à travers la partie plate (fig. 11) sectionnée de la saillie de la coupelle antigoutte (fig. 11). Après avoir abaissé le dispositif de retenue du centre avant, déplacez légèrement la grille vers l'arrière de manière à ce que les dispositifs de retenue arrière se dégagent de la saillie sur la coupelle antigoutte. La grille de protection peut maintenant être abaissée et retirée.

Lavez la grille de protection du bol dans un évier, rincez à l'eau claire et séchez avec un chiffon propre.

Le pare-éclaboussure peut être essuyé et/ou lavé à l'aide d'un chiffon ou une éponge avec de l'eau chaude savonneuse. Rincez à l'eau claire et séchez avec un chiffon propre.



Fig. 11

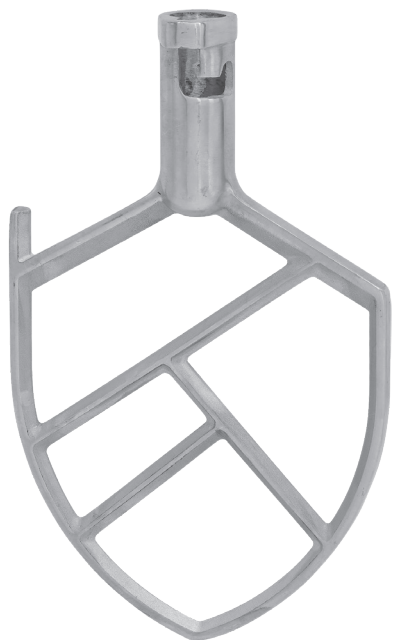
Mise en place de la grille de protection

Tenez la grille de protection de sorte que son anneau supérieur soit positionné autour de la coupelle antigoutte planétaire avec les rainures dans les deux dispositifs de retenue arrière en nylon chevauchant le saillie sur la coupelle antigoutte à l'arrière. Levez la grille de protection de manière à ce que le dispositif de retenue du centre avant passe la partie plate sectionnée de la saillie de la coupelle antigoutte et faites pivoter la grille vers la droite. La grille de protection est correctement assemblée lorsque les trois dispositifs de retenue chevauchent le saillie de la coupelle antigoutte dans trois emplacements opposés. Faites pivoter la grille de protection vers la droite jusqu'à ce qu'elle s'arrête en position centrale avant.

Faites pivoter la grille vers la gauche pour installer ou retirer l'agitateur et le bol ou pour ajouter des ingrédients.

Retournez la grille de protection dans sa position centrale avant pour faire fonctionner le batteur-mélangeur.

AGITATEURS ET ACCESSOIRES



Batteur plat



Fouet



Crochet à pâte



Bol (SST)

NETTOYAGE

 AVERTISSEMENT Débranchez le cordon d'alimentation du batteur-mélangeur avant d'entamer toute procédure de nettoyage.

Le batteur-mélangeur doit être nettoyé à fond tous les jours. N'utilisez PAS de tuyau pour nettoyer le batteur-mélangeur; il doit être lavé avec un chiffon propre et humide. La base permet amplement d'espace pour le nettoyage sous le batteur-mélangeur. Le tablier (fig. 1) peut être retiré pour le nettoyage en desserrant les vis. La coupelle antigoutte (fig. 1) doit être nettoyé. Pour nettoyer la grille de protection, reportez-vous à la page 11.

ENTRETIEN

⚠ AVERTISSEMENT Débranchez le cordon d'alimentation du batteur-mélangeur avant d'entamer toute procédure d'entretien.

LUBRIFICATION

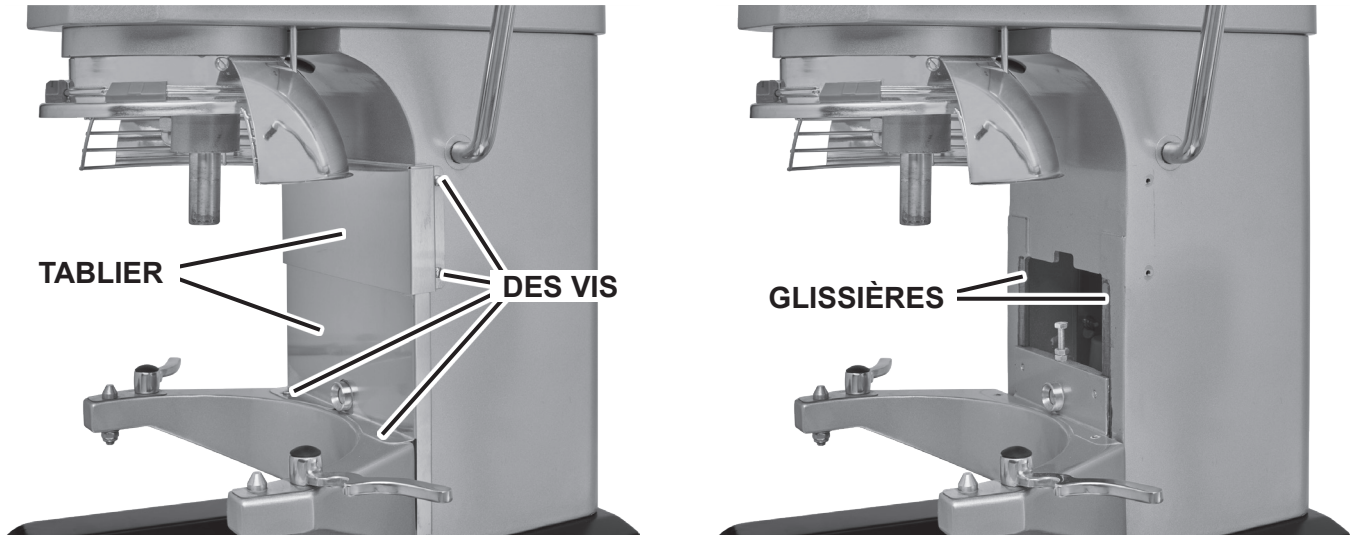


Fig. 12

Glissières

Les glissières (fig. 12) doivent être lubrifiées environ deux fois par an. Pour atteindre ces zones, abaissez complètement le support à bol et retirez le tablier (fig. 12), qui est fixé par des vis. Appliquez une fine couche de « Lubriplate 630AA » sur chaque glissière. Installez le tablier.

Joint planétaire

Le joint planétaire (fig. 13) peut devenir sec et commencer à grincer. Pour corriger cela, appliquez un peu de lubrification (huile minérale) sous la lèvre du joint.



Fig. 13

RÉGLAGES

Distance de dégagement de l'agitateur

Vérifiez régulièrement la distance de dégagement de l'agitateur. L'agitateur ne doit pas toucher le bol. La distance de dégagement maximale entre le fond du bol et le batteur plat B est de 1/8 po (3 mm).

Installez le bol et un agitateur (par ex., batteur). Si le bol et le batteur entrent en contact avant que le support à bol n'atteigne son arrêt, réglez la vis d'arrêt. Reportez-vous à la section Réglage de la distance de dégagement du bol/agitateur.

Mesurer la distance de dégagement

Versez suffisamment de farine dans le bol pour couvrir le fond du bol où le batteur se déplace. Avec le bol complètement relevé (le batteur ne doit pas toucher le fond du bol); faites tourner brièvement le batteur à la vitesse la plus basse.

Éteignez le batteur-mélangeur, débranchez le cordon d'alimentation et mesurez la profondeur de la farine où le batteur a tracé un chemin. Cette mesure devrait être prise à plusieurs points autour du bol pour assurer la précision.

Réglage de la distance de dégagement du bol/agitateur

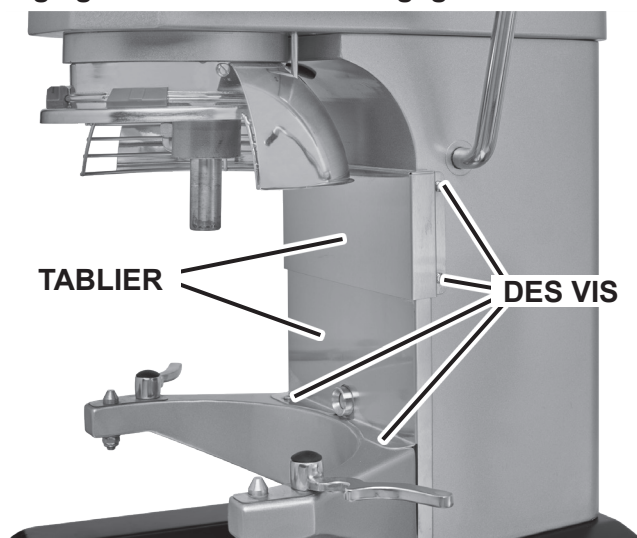


Fig. 14

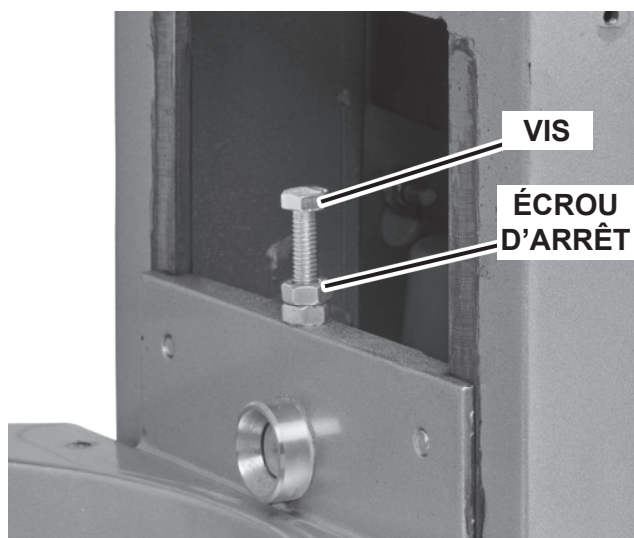


Fig. 15

- Enlevez le tablier (fig. 14) fixé par des vis.
- Réglez la distance de dégagement en desserrant l'écrou d'arrêt et en déplaçant la vis (fig. 15) dans le sens horaire pour augmenter la distance de dégagement ou dans le sens antihoraire pour diminuer la distance de dégagement.
- Une fois les réglages effectués, serrez l'écrou d'arrêt et remplacez le tablier, puis fixez-le avec les vis.
- Faites lever le bol plusieurs fois afin de vérifier le réglage.

DÉPANNAGE

Symptômes	Causes possibles
Le batteur-mélangeur ne démarre pas.	L'afficheur de la minuterie clignote – reportez-vous ci-dessous.
	Le protecteur de circuit de dérivation est en position ouverte – vérifiez le fusible ou le sectionneur.
	Le batteur-mélangeur est surchargé.
	La grille de protection n'est pas en position fermée.
	Le bol n'est pas en position fermée (mélange) ou le bol n'est pas en position haute.
L'agitateur touche le bol.	Le bol n'est pas en position fermée (mélange).
	Distance de dégagement incorrect de l'agitateur – consultez la section Entretien pour connaître la procédure de réglage.
	L'agitateur n'est pas installé correctement.
Le joint planétaire grince.	Le joint nécessite de lubrification occasionnelle – consultez la section Entretien.
L'afficheur de la minuterie clignote et l'appareil émet des bips.	Si l'affichage de la minuterie clignote et que l'appareil émet des bips, appuyez sur le bouton ON/OFF (marche/arrêt) pour réinitialiser. Si le symptôme persiste, contactez le bureau de service Hobart local.
L'afficheur de la minuterie indique OP (fig. 16).	Le levier de changement de vitesse n'est pas correctement installé.

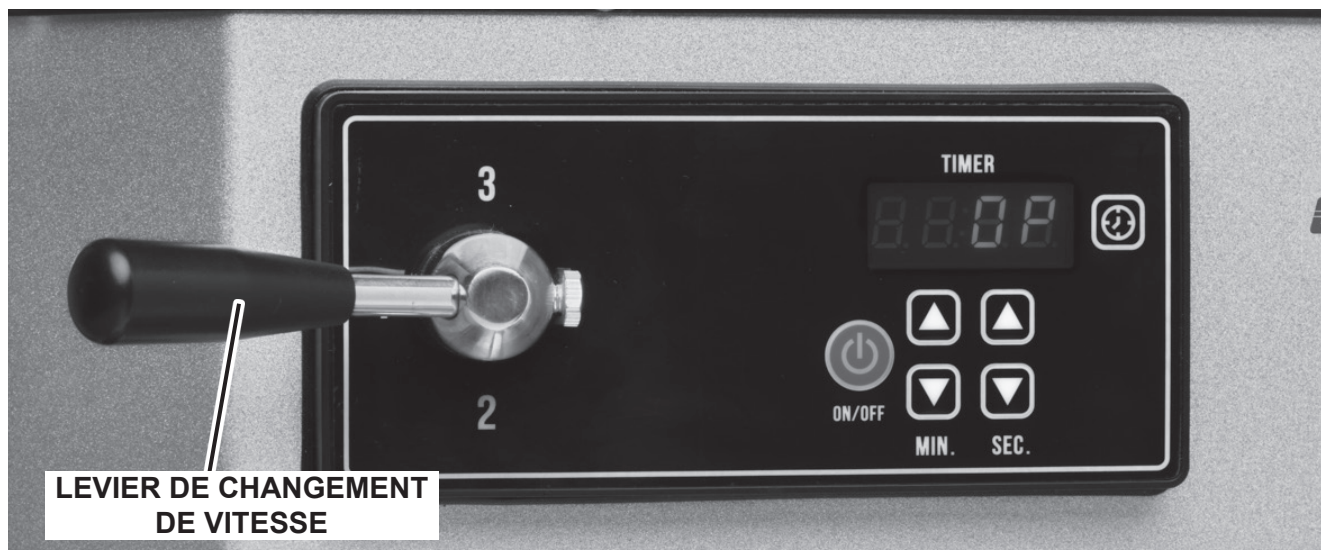


Fig. 16

SERVICE

Si une réparation est nécessaire sur cet équipement, contactez votre bureau de service Hobart local au 1 888 4HOBART.